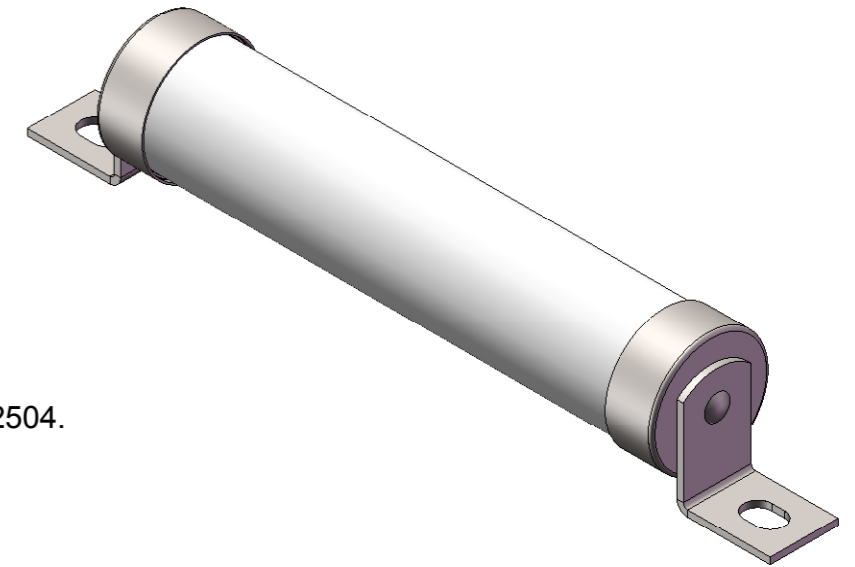
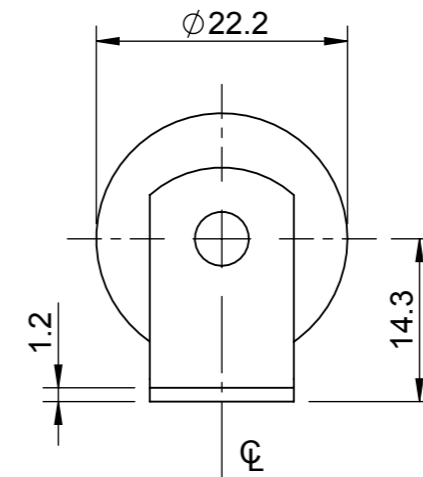
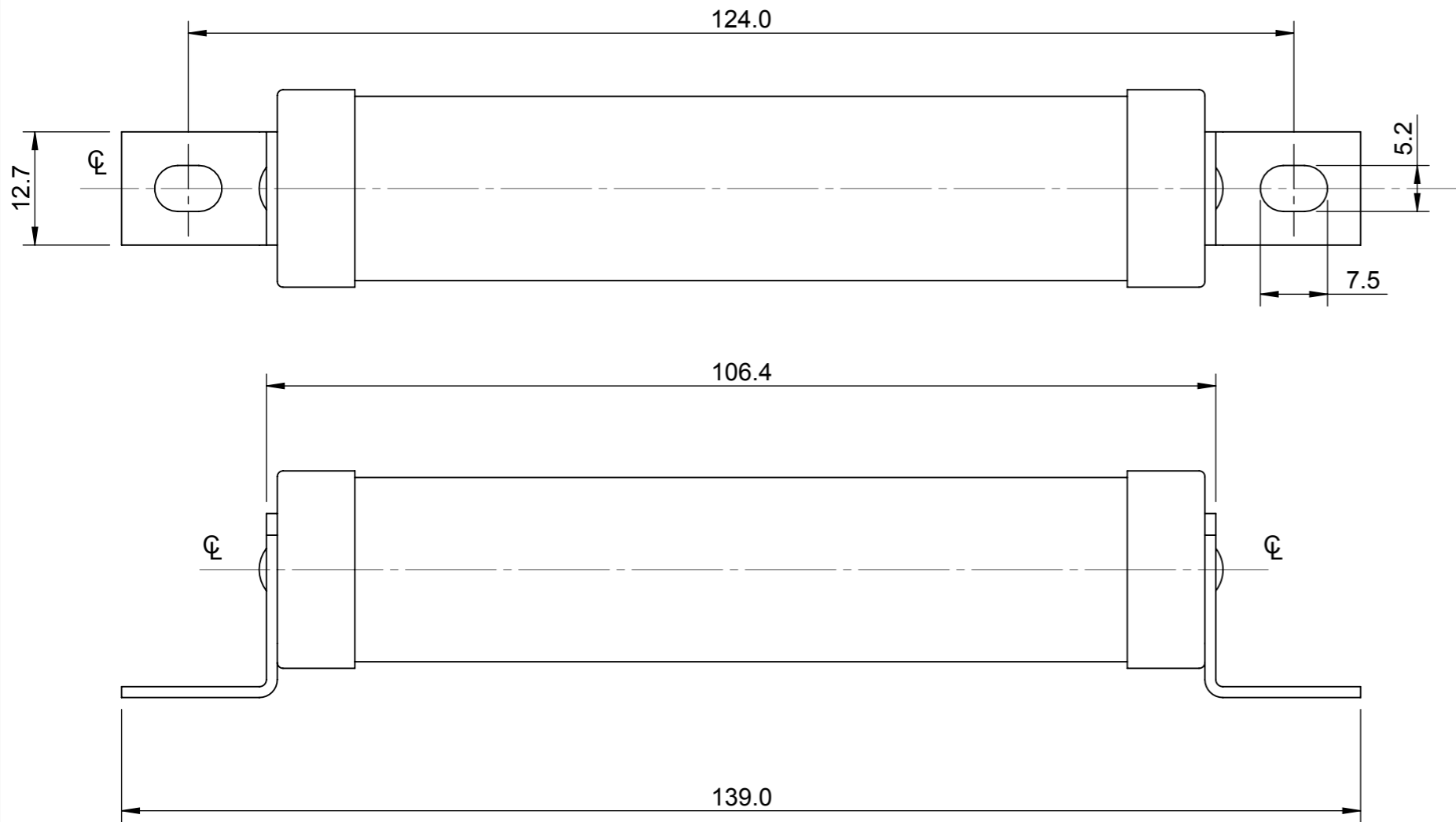


ITEM No. TAC--

REVISION				
REV	DESCRIPTION	BY	DATE	CHANGE NO.
A	CONVERSION OF GE LV FUSE DRAWINGS TO SOLIDWORKS	RAG	20/06/2012	B17258



SL . No	ITEM No
1	TAC2
2	TAC4
3	TAC6
4	TAC10
5	TAC16
6	TAC20
7	TAC25
8	TAC32

NOTE :

- FOR TAG ALIGNMENT TOLERANCE REF SPEC. 5782504.

MODEL VERSION: 00	MATERIAL:	UNLESS OTHERWISE SPECIFIED, ALL DIMENSIONS ARE IN MILLIMETERS. TOLERANCES UNLESS OTHERWISE SPECIFIED: GENERAL ± 0.4mm ANGULAR ± 1°	COOPER Bussmann			COOPER Bussmann (UK) Ltd Burton-on-the-Wolds, Leics, LE12 5TH Tel +44 1509 882 600 Fax +44 1509 882786			
	FINISH:		UNCONTROLLED COPY	TITLE: OUTLINE FOR 'TAC' FUSELINKS ( 2 - 32 AMP )					
	SURFACE AREA: VARIOUSmm <sup>2</sup>		THIS DRAWING IS CONFIDENTIAL AND THE COPYRIGHT OF COOPER BUSSMANN AND MUST NOT BE COPIED OR PASSED ON TO A THIRD PARTY WITHOUT WRITTEN CONSENT	DWG NO: 1000001975			ANGLE: THIRD	REV: A	
	VOLUME: 27137.25mm <sup>3</sup>			DRAWN BY: RAG	CHECKED BY: JM	DATE: 20/06/2012	SCALE: NTS	SIZE: A3	SHEET: 1 OF 1
MODEL SOURCE FILE: 1000001975	MASS: 76.39g								